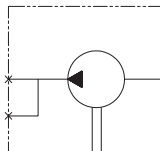
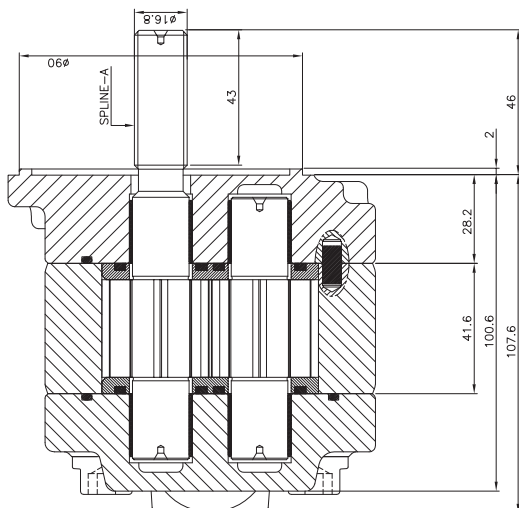
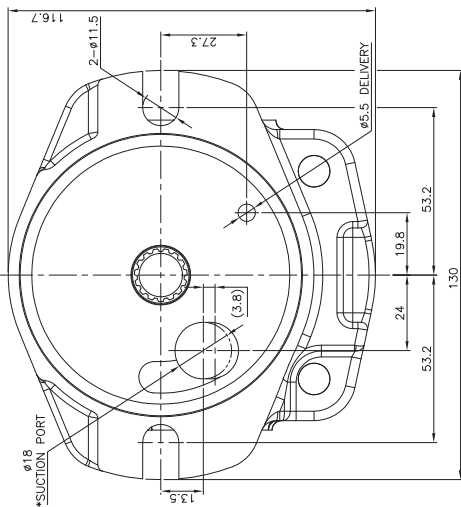
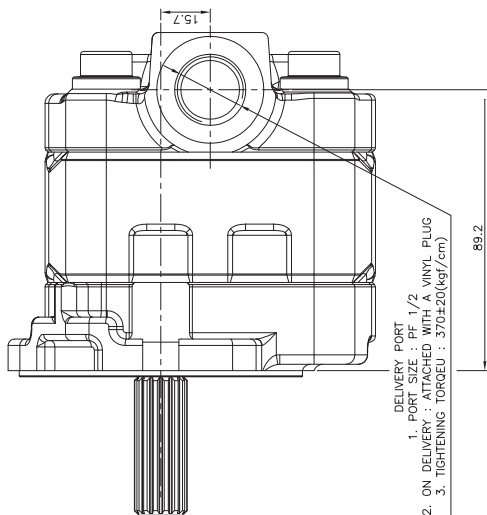


# Zusatz-Zahnradpumpe für Kleinbagger-Pumpen



	PSVD2-12E	PSVD2-16E	PSVD2-21E	PSVD2-27E
Discharge Rate	11.9	14.3	16.8	19.2
Max. Pressure	210kgf/cm <sup>2</sup>			
Max.Speed (rpm)	2400/2500/2550			

INVOLUTE SPLINE	
Tooth Profile	15
Number Of Teeth	φ15
Pitch Diameter	1.0
Modules	20°
Pressure Angle	φ14.5~φ14.6
Minor Dia	φ16.7~φ16.8
Major Dia	8.138
Teeth Thickness	3
Measuring Dia	φ1.8
Measurement Over Pins	18.998
Fitting	Side Fitting
Standard	JIS

