

# Hilfspumpe

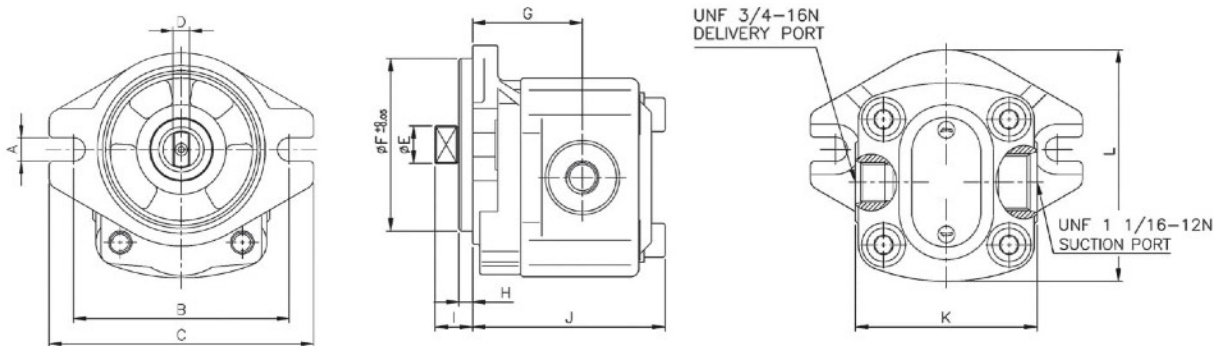
## SBS120, SBS140 (Single)



### Spezifikationen

Model	Fördermenge (cm <sup>3</sup> /U)	Max. Druck (bar)	Max. Drehzahl (U/min)
SBS120 (Single)	P1	180	3200
SBS140 (Single)			

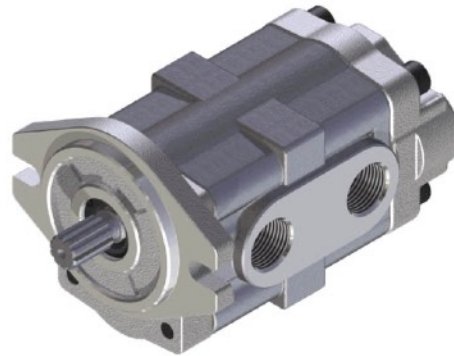
### Masse (mm)



Model	A	B	C	D	E	F	G	H	I	J	K	L	M	N	O
SBS120 (Single)	11.5	106	130	8	17.9	82.5	52.5	6.5	18	92	87	111	130	86	92.6
SBS140 (Single)															

# Hilfspumpe

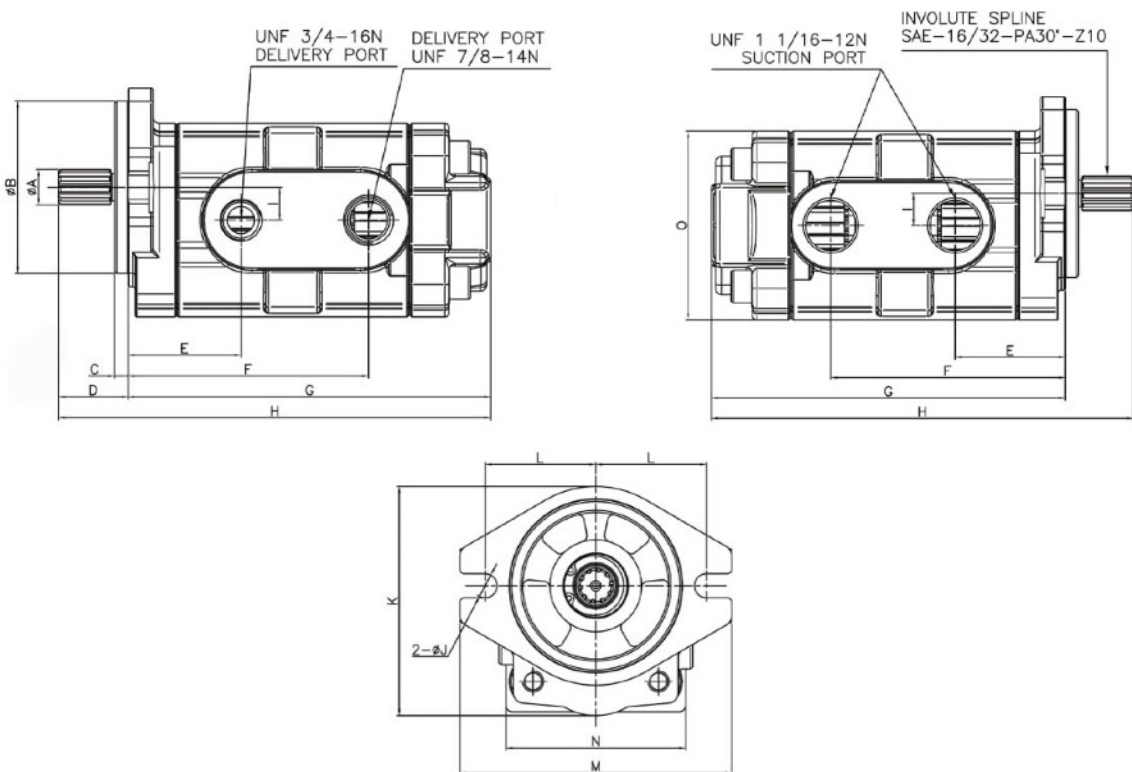
## SBS120, SBS140 (Double)



### Spezifikationen

Model		Fördermenge (cm <sup>3</sup> /U)	Max. Druck (bar)	Max. Drehzahl (U/min)
SBS120 (Double)	P1	20	180	1800
SBS140 (Double)	P2	13		

### Masse (mm)



Model	A	B	C	D	E	F	G	H	I	J	K	L	M	N	O
SBS120 (Double)	17	82.5	6.5	33.3	54	115	174	207	15.7	11.5	110	53	130	86	92.6
SBS140 (Double)															